



Standard :

- Comply with ANSI/EIA RS-310-D, DIN41497 part 1, IEC297-2, DIN41494 part 7, GB/T3047.2-92 standard

Feature:

- Welded frame, reliable structure;
- Standing or wall mounting installation ;
- Adjustable feet and heavy duty castors are optional ;
- Easy mounting installation (patent) ;
- 19" standard installation ;
- Removable side panels, side locks optional
- Cable entry on both of top cover and bottom panel;
- 120mm fan available ;
- Turning angle of front door is over 180 degrees ;

Loading Capacity:

- 60KG

Degree of Protection:

- IP20

Material:

- SPCC Cold Rolled Steel ;
- Thickness : Mounting profile: 1.5mm, others: 1.2mm

Surface Finish:

- Degreasing, pickling, phosphoric, powder coated



Lockable fan holes and cable entry



Easy installation, dust-proof



Mounting panel



Install to wall



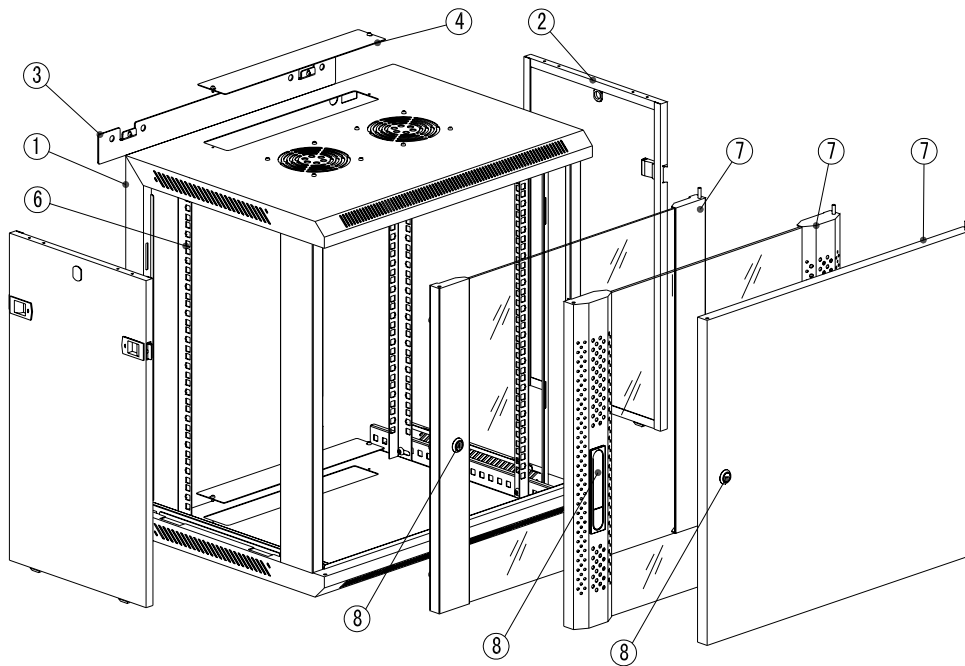
Removable side panels (side locks optional)



Inside fixation by nuts to avoid accident

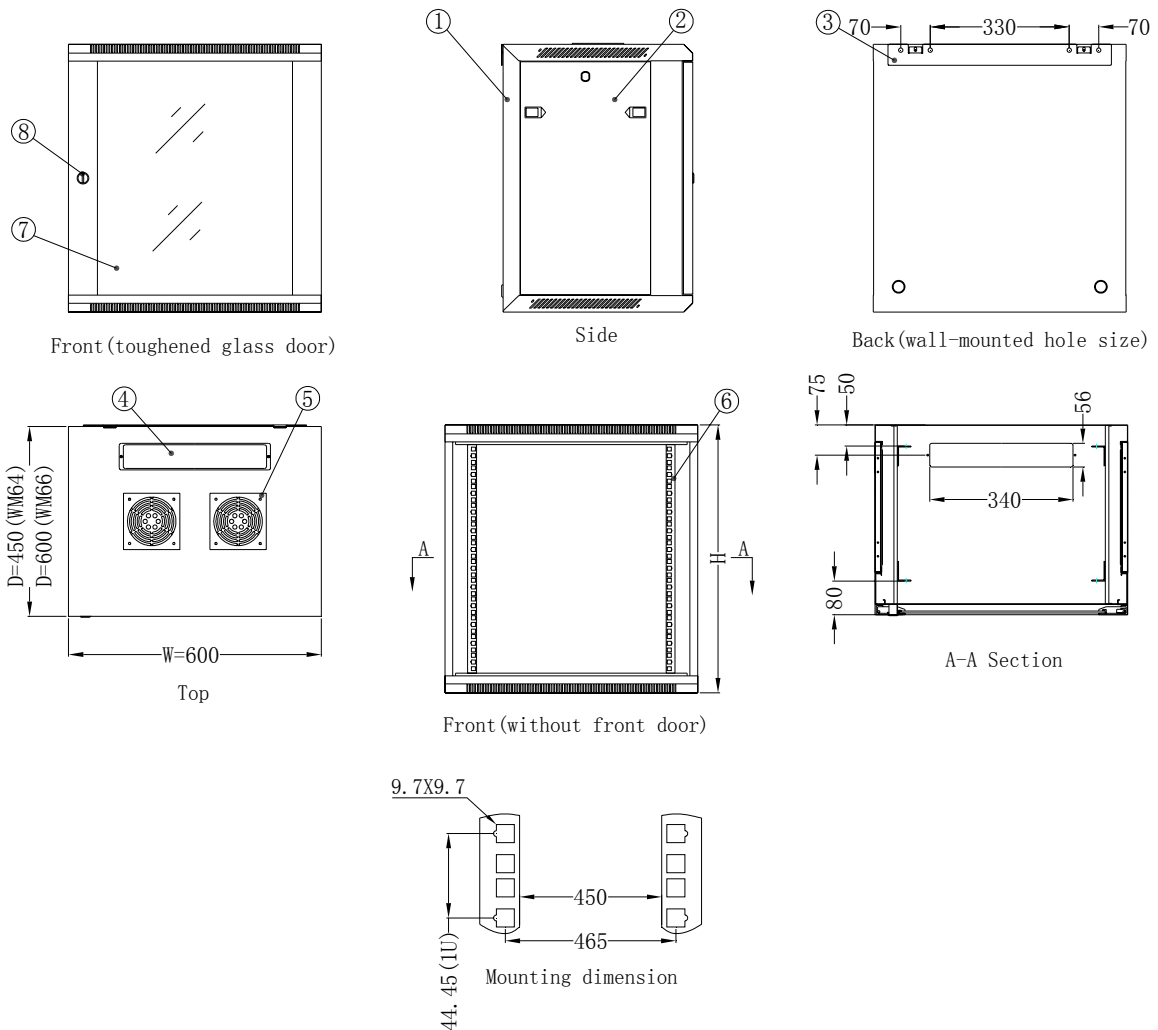
WM Single Section Wall mounted Cabinets

Main structure



1. Frame
2. Side panel
3. Mounting panel
4. Cable entry cover
5. Fan cover
6. Mounting profile
7. Front door
8. Lock

Main dimension



WM Single Section Wall mounted Cabinets

Main parts :

S/N	Specification	Quantity	Unit	Material	Surface finish	Remark
1	Frame	1	Piece	SPCC Cold rolled steel t1.2	Powder coated	---
2	Side panel	2	Piece	SPCC Cold rolled steel t1.2	Powder coated	---
3	Mounting panel	1	Piece	SPCC Cold rolled steel t1.2	Powder coatd	---
4	Cable entrance cover	2	Piece	SPCC Cold rolled steel t1.2	Powder coated	---
5	Fan cover	2	Piece	SPCC Cold rolled steel t1.2	Powder coated	---
6	Mounting profile	4	Piece	SPCC Cold rolled steel t1.5	Powder coated	---
7	Front door ^①	1	Piece	5MM toughed glass door/ SPCCt1.2	Powder coated	---
8	Lock ^②	1	Piece	---	---	With 2 keys
9	M6 Square nut	10	Piece	Steel	Color zinc	20pcs for over 12U
10	M6 B-head screw	10	Piece	Steel	Color zinc	20pcs for over 12U
11	Allen wrench	1	Piece	Steel	Black	---

Remark : ① Three types of front door: toughened glass door, toughened glass door with vented door border, plate front door.

② Toughened glass door and plate front door with small round lock, toughened glass door with vented door border with spring lock.

Specification :

Model No.	Capacity (U)	Width (mm)	Depth (mm)	Height (mm)	Packing dimension W*D*H	Volume (CBM)
WM.6406.9■	6	600	450	368	670*520*430	0.1498
WM.6606.9■			600		670*670*430	0.1930
WM.6409.9■	9	600	450	501	670*520*560	0.1951
WM.6609.9■			600		670*670*560	0.2513
WM.6412.9■	12	600	450	635	670*520*695	0.2421
WM.6612.9■			600		670*670*695	0.3106
WM.6415.9■	15	600	450	769	670*520*830	0.2888
WM.6615.9■			600		670*670*830	0.3725
WM.6418.9■	18	600	450	901	670*520*960	0.3344
WM.6618.9■			600		670*670*960	0.4309
WM.6422.9■	22	600	450	1082	670*520*1140	0.3971
WM.6622.9■			600		670*670*1140	0.5117
WM.6427.9■	27	600	450	1304	670*520*1365	0.4755
WM.6627.9■			600		670*670*1365	0.6127

Remark: Above packing dimension and volume is for packing with PU foam on four angles; If no PU foam, the packing dimension should decrease 50mm, 50mm, 40mm accordingly, so does the volume.




Definition :

Model No.	Color
WM.■■■■.■■1	RAL9004
WM.■■■■.■■2	RAL7035



Definition of front door :

Model No.	Feature
WM.■■■■.■0■	Toughened glass door
WM.■■■■.■1■	Toughened glass door with vented border
WM.■■■■.■2■	Plate front door

Definition of ornament strip color (for toughened glass door with vented door border) :

WM.■■■■.71■	WM.■■■■.81■	WM.■■■■.91■
Light red	Light green	Light blue
		

Color :

RAL9004	RAL7035
	

*Limitations of Liability: This information is based on our current level of our knowledge. It is given in a good faith but it is not intended to guarantee any particular properties. The users must satisfy themselves that there are no circumstances requiring additional information or precautions or the verification of the details given herein.