

Standard:

- Comply with ANSI/EIA RS-310-D, IEC297-2, DIN41491, PART1, DIN41494, PART7 GB/T3047.2-92 standard

Feature:

- Modular design, easily assemble and disassemble for delivery, low-cost.
- Various optional accessories according to requirements (cable management slot, removable working panel, etc.,).

Loading Capacity:

- Static loading: 150KG

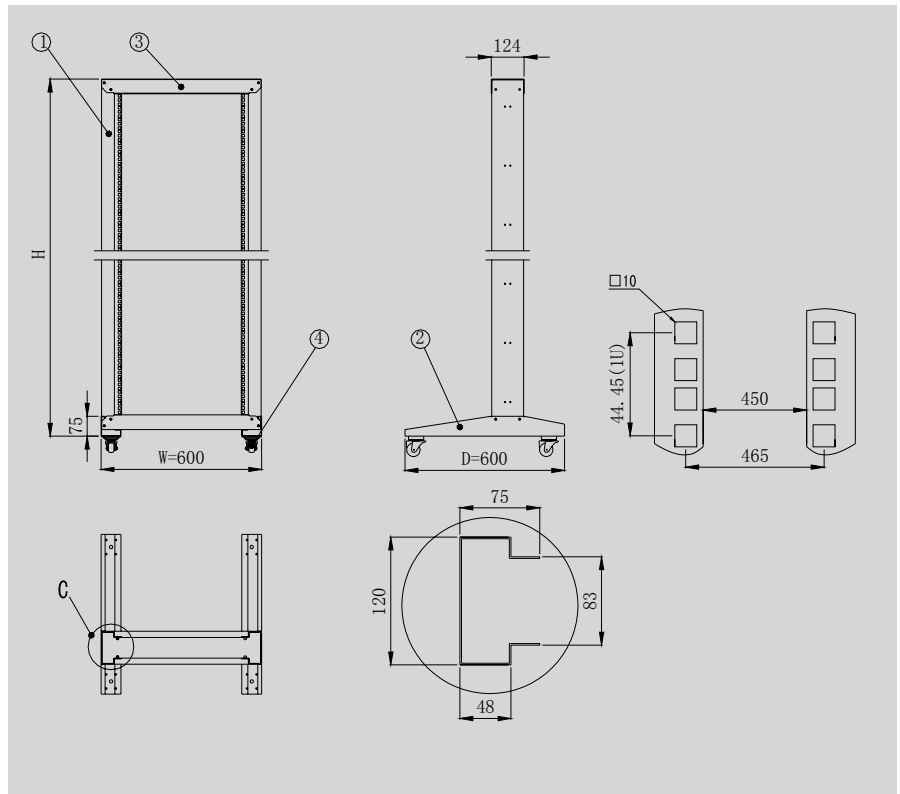
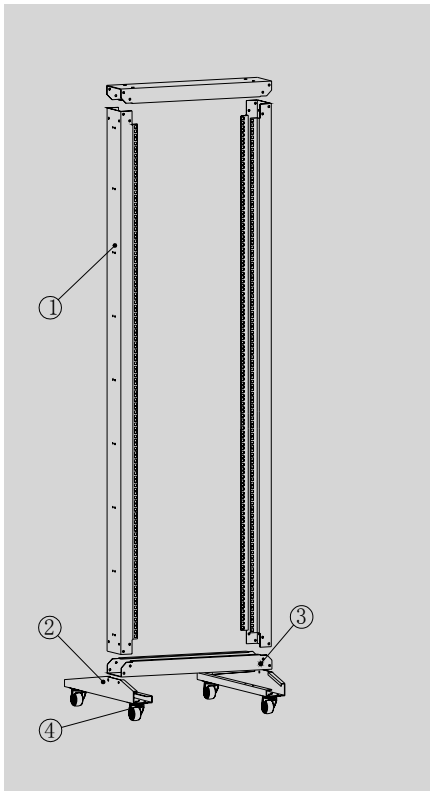
Material:

- SPCC cold rolled steel ;
- Thickness: plinth: 2.0mm; Front and bottom beams : 2.0mm, Pole: 1.5mm.

Surface finish:

- Degreasing, pickling, phosphoric, powder coated

OR Open Racks



1. Pole 2.Plinth 3.Horizontal beam 4. Heavy duty castor

Main parts :

S/N.	Specification	Quantity	Unit	Material	Surface finish	Remark
1	Pole	2	Piece	SPCC Cold rolled steel t1.5	Powder coated	---
2	Plinth	2	Piece	SPCC Cold rolled steel t2.0	Powder coated	---
3	Horizontal beam	2	Piece	SPCC Cold rolled steel t2.0	Powder coated	---
4	2" heavy duty castor	4	Piece	---	---	---
5	Square screw & nut	10	Set	Steel	Color Zinc	---
6	Allen wrench	1	Piece	Steel	Black	---


Specification:

Model No.	Capacity (U)	Width (mm)	Depth (mm)	Height (mm)	Dimension W*D*H	Volume (CBM)
OR.6622.90■	22	600	600	1119	670*150*1149	0.1155
OR.6632.90■	32	600	600	1562	670*150*1592	0.1600
OR.6637.90■	37	600	600	1785	670*150*1815	0.1824
OR.6642.90■	42	600	600	2007	670*150*2037	0.2047
OR.6647.90■	47	600	600	2230	670*150*2260	0.2271

Definition of color :

Model No.	Color
OR.■■■■.■■1	RAL9004
OR.■■■■.■■2	RAL7035

Color :

RAL9004	RAL7035
	

*Limitations of Liability: This information is based on our current level of our knowledge. It is given in a good faith but it is not intended to guarantee any particular properties. The users must satisfy themselves that there are no circumstances requiring additional information or precautions or the verification of the details given herein.