



Standard:

- Comply with ANSI/EIA RS-310-D, IEC297-2, DIN41494, PART1, DIN41494, PART7 standard.

Feature:

- Modular design, easily assemble and disassemble for delivery, low-cost.
- Various optional accessories according to requirements (cable management slot, removable working panel, etc.).

Loading Capacity:

- Static loading: 150KG

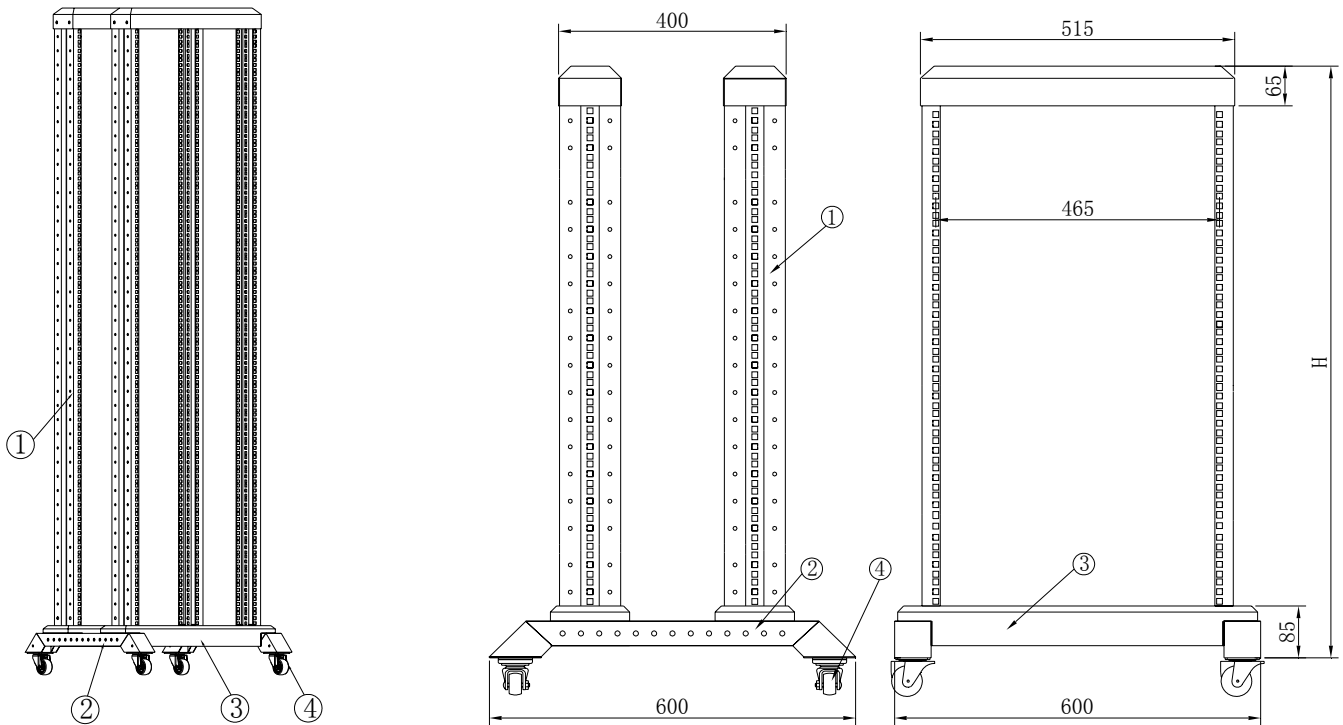
Material:

- SPCC cold rolled steel ;
- Thickness: plinth: 1.5mm;
Front and bottom beams : 2.0mm, Pole: 1.2mm.

Surface finish:

- Degreasing, pickling, phosphoric, powder coated

DR Data Racks



1. Pole 2. Plinth 3. Horizontal beam 4. Heavy duty castor

Main parts :

S/N.	Specification	Quantity	Unit	Material	Surface finish	Remark
1	Pole	2	Piece	SPCC Cold rolled steel t1.5	Powder coated	---
2	Plinth	2	Piece	SPCC Cold rolled steel t2.0	Powder coated	---
3	Horizontal beam	2	Piece	SPCC Cold rolled steel t2.0	Powder coated	---
4	2" heavy duty castor	4	Piece	---	---	---
5	Square screw & nut	10	Set	Steel	Color Zinc	---
6	Allen wrench	1	Piece	Steel	Black	---


Specification:

Model No.	Capacity (U)	Width (mm)	Depth (mm)	Height (mm)	Dimension W*D*H	Volume (CBM)
DR.6618.90■	18	600	600	954	630*310*1000	0.1953
DR.6622.90■	22	600	600	1131	630*310*1180	0.2305
DR.6627.90■	27	600	600	1355	630*310*1400	0.2734
DR.6632.90■	32	600	600	1575	630*310*1630	0.3183
DR.6637.90■	37	600	600	1798	630*310*1850	0.3613
DR.6642.90■	42	600	600	2020	630*310*2070	0.4043
DR.6647.90■	47	600	600	2243	630*310*2290	0.4472

Definition of color :

Model No.	Color
DR.■■■■.■■1	RAL9004
DR.■■■■.■■2	RAL7035

Color :

RAL9004	RAL7035
	

***Limitations of Liability:** This information is based on our current level of our knowledge. It is given in a good faith but it is not intended to guarantee any particular properties. The users must satisfy themselves that there are no circumstances requiring additional information or precautions or the verification of the details given herein.